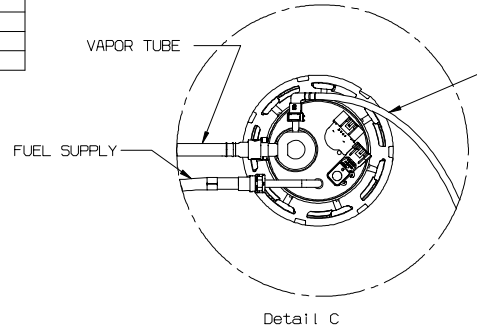
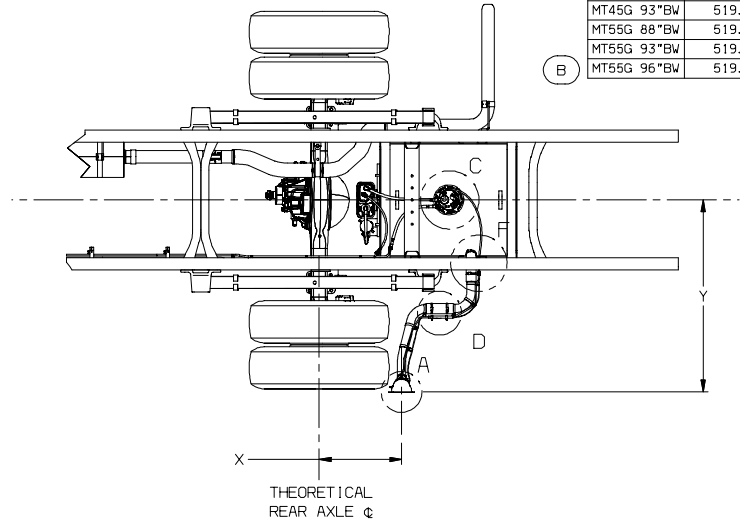


MT45G 93" BODY WIDTH SHOWN.
DIMENSION REFERENCES ARE
COMMON FOR ALL CHASSIS.

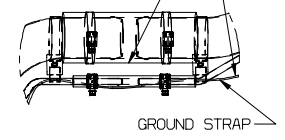
COORDINATE TABLE: L03-39468-000			
CHASSIS	X	Y	Z
MT45G 86"BW	519.6	1101.1	204.5
MT45G 93"BW	519.6	1190.0	204.5
MT55G 88"BW	519.6	1126.5	204.5
MT55G 93"BW	519.6	1190.0	204.5
MT55G 96"BW	519.6	1228.1	204.5

RELEASE NUMBER	REV	ZONE	REVISION DESCRIPTION	BY	DATE	APPD
PA2502-03	-	-	INITIAL RELEASE	JMB	05/25/11	DBR
PA2502-08	A	4A	ADDED DETAIL G	JMB	07/05/11	DBR
PA3796-12	B	6D	ADDED MT55G 96" BW	DJK	08/08/12	JWG
PA3731-N4	C	4C	1: TORQUE 55-65 WAS 50-60 IN-LB 2: TORQUE 15 WAS 37.5-42.5 IN-LB	NLZ	11/10/15	TMB

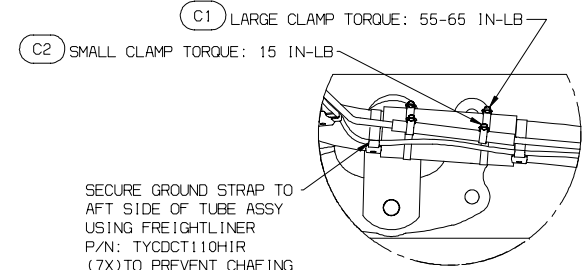


FILL VENT TUBE
ENSURE TUBE ASSEMBLY IS FREE OF KINKS.

NOTICE CLEARANCE BETWEEN
GROUND STRAP AND LARGE
RUBBER HOSE.



Detail D

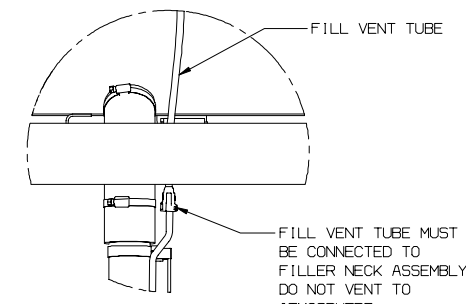


(C1) LARGE CLAMP TORQUE: 55-65 IN-LB

(C2) SMALL CLAMP TORQUE: 15 IN-LB

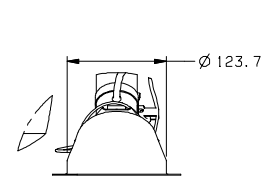
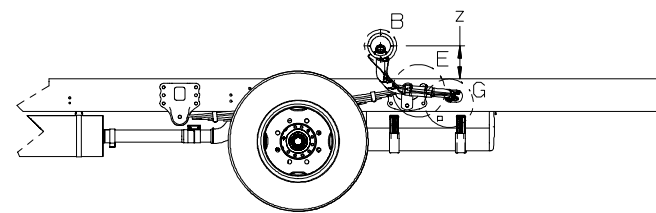
SECURE GROUND STRAP TO
AFT SIDE OF TUBE ASSY
USING FREIGHTLINER
P/N: TYCDDT110H1R
(7X) TO PREVENT CHAFING
OF RUBBER CONNECTIONS.

Detail E

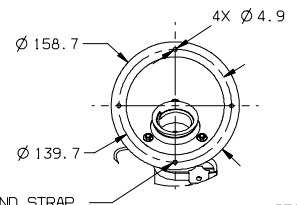


FILL VENT TUBE
FILL VENT TUBE MUST
BE CONNECTED TO
FILLER NECK ASSEMBLY.
DO NOT VENT TO
ATMOSPHERE.

Detail F

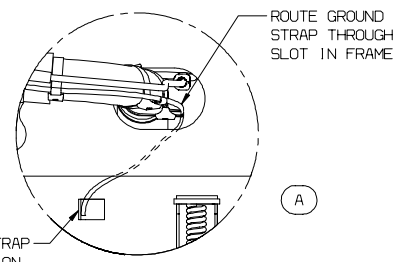


Detail A



BOTH GROUND STRAP
TERMINALS TO BE
SECURED TO
MOUNTING STUD.

Detail B



SECURE GROUND STRAP
TERMINAL TO TAB ON
FUEL TANK

Detail G

