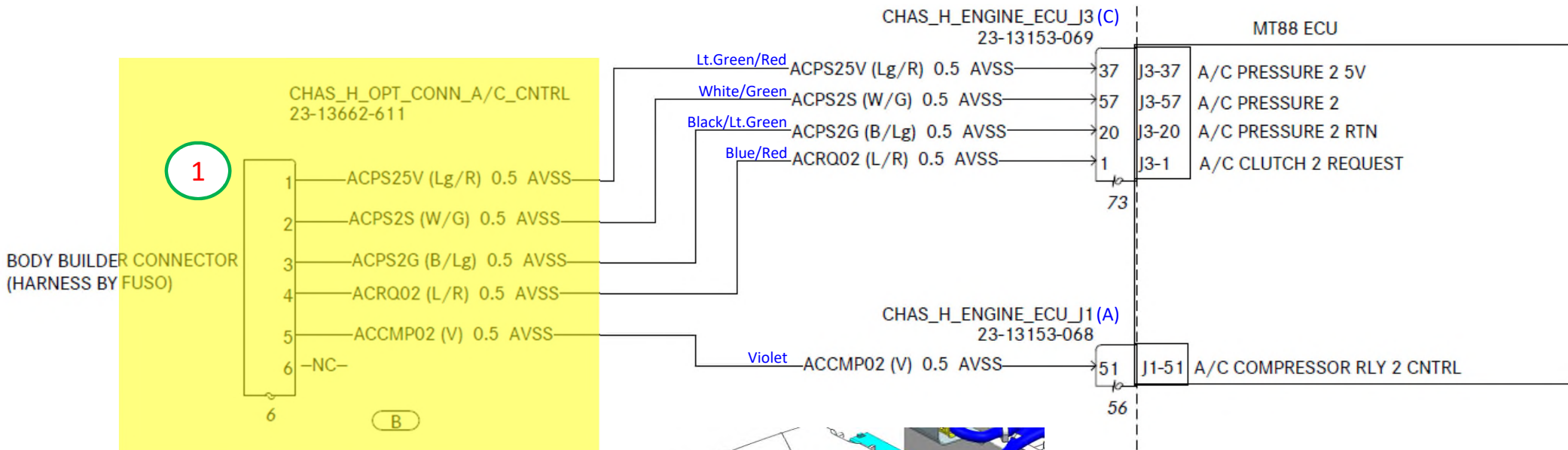


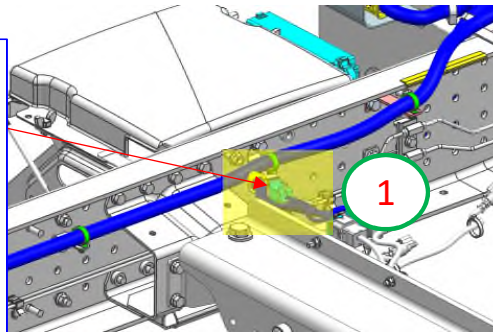


The AC control connector is located on the LH side of the truck inboard of the battery box as shown below. The bodybuilder needs to insert their wiring into connector 1's cap using the terminals specified on page 5/5.

The option connector is shown on the next page.



Body Builder Connector **1** is not included or available.  
 One terminal lead must be inserted into J1 "A" harness connector from rear.  
 Four terminal leads must be inserted into J3 "C" harness connector from rear.



The option connector is located on the LH side of the truck behind the engine ECM bracket as shown below. The bodybuilder needs to insert their wiring into connector 2's cap using the terminals specified on page 5/5.

Only circuit FM4C (blue with red stripe) is needed.

